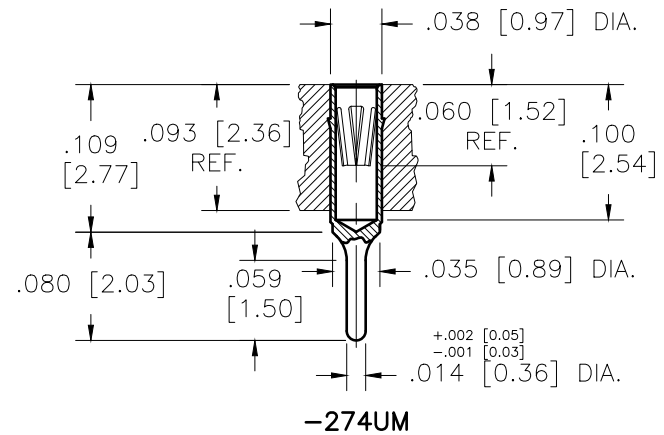


INSULATOR MATERIALS AVAILABLE	
N	NATURAL FR-4 T _g 140° C (EPOXY)
L	BLACK FR-4 T _g 140° C (EPOXY)
E	NATURAL FR-4 T _g 150° C (EPOXY)
T	NATURAL FR-5 T _g 170° C (EPOXY)
BT	BLACK FR-5 T _g 170° C (EPOXY)
H	BROWN POLYIMIDE (HI-TEMP EPOXY)
ADDITIONAL MATERIALS UPON REQUEST	



"ANDON PROPRIETARY INFORMATION"

THIS DRAWING CONTAINS INFORMATION PROPRIETARY TO ANDON ELECTRONICS CORPORATION. ANY REPRODUCTION, DISCLOSURE OR USE OF THIS DRAWING IS EXPRESSLY PROHIBITED AS ANDON ELECTRONICS MAY OTHERWISE AGREE IN WRITING.



TITLE: **26 X 26, (478) PIN, .050 [1.27] PITCH ANDON F.P. No. 15, THRU-HOLE SOCKET**

TOLERANCE EXCEPT AS NOTED	DRAWN BY: GB	SCALE:
ANGLE ... ±2°	CHK'D BY: GB/ADG	DATE: 05/13/20
FRACTION ±.010	APP'D BY: ADG	FILE:
.XX..... ±.010	UNITS: INCHES [MILLIMETERS]	
.XXX..... ±.005		

TECHNICAL INFORMATION

MATERIAL:

INSULATOR: BLACK FR4 LAMINATE

TERMINAL: BRASS, PER ASTM-B16

CONTACT: BeCu, PER ASTM-B194

PLATING: -R27 TERMINAL: GOLD 10μ INCHES MIN.

CONTACT: GOLD 10μ INCHES MIN.

FORCES: INSERTION: 2.11 OZ (60 GRAMS), MAX. USING A .015 [0.38] DIA PROBE
WITHDRAWAL: .53 OZ. (15 GRAMS) MIN. USING A .015 [0.38] DIA PROBE

1	REVISED INSULATOR THICKNESS FROM .062 TO .093 PER ECN 01456	9-22-2020	A.D.G.		
REV.	DESCRIPTION	DATE	REV. BY	APP. BY	

DWG. NO.	REV.
10-26-15-478-274UM-R27-L14	1